

DIGIEYE CAM N1DM2312V

TELECAMERA DOME 2 MPX LUX VANDAL PROOF



DIGIEYE CAM N1DM2312V è una telecamera Dome IP da 2Mpx Low Lux vandal proof con PoE slot per memoria esterna MicroSD, posizionamento su 3 assi. Dotata di I/O allarmi, audio IN/OUT e filtro Day and Night removibile meccanicamente con obiettivo Varifocale 3.3-12mm AI/IR, la DIGIEYE CAM N1DM2312V, è interamente configurabile dai sistemi DigiEye*, conforme al Profilo S ONVIF e multi-browser compatibile. Certificata IP66 e IK10.

Le DIGIEYE CAM IP offrono un'incomparabile qualità delle immagini. Beneficiando della tecnologia video Flash incorporata nella telecamera con supporto multi browser, queste telecamere IP sono pienamente integrate e configurabili dai sistemi DigiEye. Conformi al "Profile-S" ONVIF, le DIGIEYE CAM IP Megapixel supportano l'alimentazione PoE o 12V e sono disponibili in vari alloggiamenti e con diverse specifiche. L'assortimento di possibili risoluzioni megapixel da 3Mpx con WDR @ 2048x1536/20 fps, a 2 Mpx Low Lux @ 1920x1080 /25-30 fps e 1.3 Mpx Low Lux @1280x720/ 25-30 fps, rendono queste potenti telecamere la scelta giusta per qualsiasi applicazione di sicurezza professionale.



*Safari, Chrome, Internet Explorer, Firefox, Opera

MULTI
BROWSER

GARANZIA
2 ANNI

IP

KEY FEATURES

- Sensore SONY Exmor™ 1/2.8"
- Risoluzione massima 1920 x 1080 / 30 fps
- 0.1Lux @ F1.2 (Color) (0Lux IR LED on)
- True Day/Night con filtro ICR
- Obiettivo Varifocale 3.3 -12mm IR Corrected DC Auto IRIS
- Slot per Memory Card interna da massimo 64GB (Memory Card non inclusa)
- Certificata IK10 / IP66
- 12V DC / PoE Class 3
- Completamente integrata e configurabile da DigiEye*
- Onvif v2.2 Profile-S
- Compatibilità browser universale

* Disponibile da Q1-2014



TECHBOARD

Sede e Stabilimento
Via della Scienza 50
41122 Modena—Italia
Tel.: +39 059 289811
Fax: +39 059 289860
www.techboard.it

SYAC-TB

Divisione Sicurezza
Area Science Park
Trieste - Italia
Tel. +39 059 289899
Fax + 39 059 289860
www.syac-tb.com

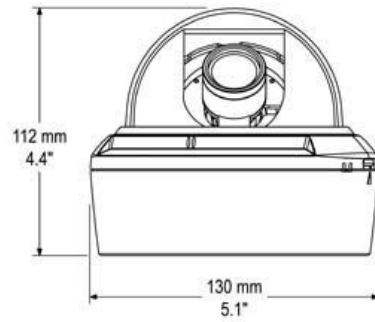
emc-tb

Divisione Comunicazioni
Via della Scienza 50
41122 Modena - Italia
Tel.: +39 059 289811
Fax: +39 059 289862
www.emc-spa.com

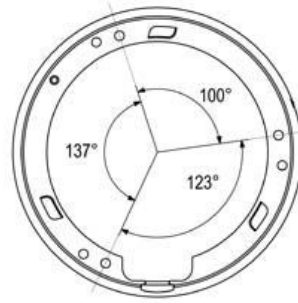
DATA
SHEETS

SPECIFICHE TECNICHE

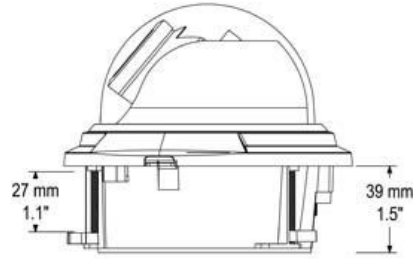
CAMERA	
Image Sensor	Sony Exmor™ 1/2.8"
Max resolution/FPS	1920 x 1080 / 30 fps
Min. Illumination	0.1Lux @ F1.2 (Color) (0Lux IR LED on)
Day/Night	True Day/Night with ICR Filter
Lens	3.3 -12mm Vari-focal IR Corrected DC Auto IRIS
Alarm IN/OUT	One alarm Input / one alarm Output
Video Output	Internal Service RCA output for BNC Video with IP Address OSD
Electronic Shutter	Auto/User 1/5 - 1/50, 0000; 50/60Hz Software selectable
PARAMETERS	
Compression	H-264 High Profile (Support Baseline Profile) / MJPEG
Bit Rate (CBR/VBR)	Stream1 50Kbps - 12Mbps; Stream2 10Kbps - 6Mbps; Stream3 (Fixed)
Quality Setting	1-9 (9 Highest)
Multi-Streaming	User Setting of Stream 1/2 at supported resolutions, Stream3 MJPEG Stream
Brightness/Sharpness	Variable 0~100 / 0~100
Gain Control	Auto / Fixed 8~102dB
Orientation	Horizontal Mirror/Vertical Flip
Text Overlay	Time/Date/Camera/Custom OSD
Masking	5 User defined masking areas < 8% of total picture
NETWORK	
Ethernet	1 Ethernet (10/100 Base-T) RJ-45 Connector
TCP/IP	IPv4 / IPv6 (DHCP / Fixed)
Compliance	Onvif v2.2 Profile-S Listed
RTSP Video	Standard RFC2326, Support QuickTime/VLC Player. User Security Authentication (Enabled/ Disabled)
Web Language	English, Chinese, Russian, Polish, (European languages coming 2013)
Recording Simultaneous.	Local Micro SD Memory, Remote FTP server, TCP/UDP CMS, RTSP connection (stream 1, 2 or 3)
Network Protocols	HTTP, TCP/IP, UDP/IP, RTSP, FTP, DHCP, NTP, PoE, NTP. Unicast and Multicast supported.
Memory Card Slot	Internal Memory Card Supports Max 64GB. Supports Edge Recording
AUDIO	
Input/ Output	1 x RCA Input/ 1 x RCA Output @ 1v Line Level
Audio Compression	G711 A-Law, G711 U-Law, RAW_PCM
GENERAL	
Power	12VDC @ 300mA (IR LED on) / PoE Class 3 on Ethernet
Temperature	Operating: 14°F to 131°F (-10°C to 55°C) Storage: -4°F to 140°F (-20°C to 60°C)
Operating Humidity	10% - 85% RH
Approvals	CE/FCC/RoHS Compliant /IP66/ IK10
Product Dimensions	130 x 112 mm (5.1 x 4.4)
Product Weight	850 Gr / 1.87lb



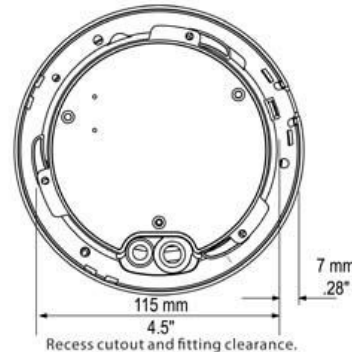
Indoor Dome Dimensions



Underside Base hole positions



Recess Mount Fitting dimensions



Recess cutout and fitting clearance.