

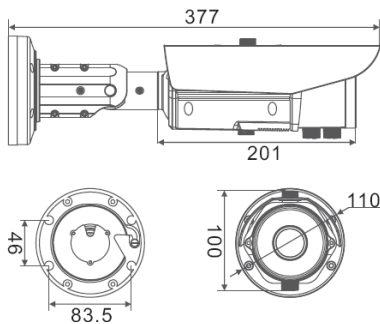
## N2BL4W312RVM



### Key features

- 1/3" Progressive Scan CMOS
- Motorized lens 2.7-12mm
- 4MP@30fps
- Triple Streams
- Smart IR Up to 50m
- Low bitrate ,Excellent low light performance
- WDR,3D DNR
- ROI,Defog,HLC,Corridormode,DIS
- IP67

### Dimension



### Accessories



### Specifications

CAMERA	
Image Sensor	1/3" Progressive Scan CMOS
Min. illumination	Color:0.01Lux@(F1.2,AGC ON) ; B/W:0Lux@(IR LED ON)
Day & Night	ICR
Shutter Speed	1/5s-1/20000s
Auto Iris	Yes
Wide Dynamic Range	WDR>120dB
Digital Noise Reduction	2D/3D
Lens	2.7-12mm Motorized Lens
FOV	90° ~ 35°
IR LED	8pcs
IR Range	Up to 50m
IMAGE	
Video Compression	H.264/265, MJPEG
Bit Rate (CBR/VBR)	Main stream:500kb-12000kb ;Sub stream 100kb-6000kb
Audio Compression	G.711 ,RAW_PCM
Max. Resolution	2592*1520/30fps
Stream	Stream1 2592*1520/2560*1440/2304*1296/1920x1080 Stream 2 D1 to QVGA
Image Setting	Rotate Mode, Saturation, Brightness, Contrast, Sharpness
HLC	Yes
9:16 Corridor mode	Yes
DIS	Auto
ROI	Yes
Defog	Yes
NETWORK	
Network Protocols:	IPv4,802.1x,HTTP,HTTPS,TCP/IP,UDP/IP,RTSP,DHCP,NTP, RTCP/RTP, PPPoE, SMTP, DNS, UPnP, FTP, ICMP ,IGMP, Unicast and Multicast
Alarm Trigger	Perimeter ,Single Virtual Fences ,Double Virtual Fences ,Loiter ,Multi Loiter , Object Left ,Object Removed, Abnormal Speed ,Converse, Illegal Parking, Signal Bad ,Motion Detection ,Network disconnect, Disk alarm ,I/O alarm
RTSP Video	Standard RFC2326, Support QuickTime / VLC Player.
Security	User security authentication, Reset, Hardware Watch Dog
Web Language	English, Chinese, Polish, Italian, Portuguese, Spanish, Russian, French, Czech, Hungarian
System Compatibility	Onvif
INTERFACE	
Ethernet	11 Ethernet (10/100 Base-T) RJ-45 Connector
Audio I/O	1ch Audio In&1ch Audio Out
Alarm I/O	1ch Alarm In&1ch Alarm Out
RS485	Yes
BNC Output	Yes
Reset Button	Yes
Edge Storage	Micro SD/SDHC/SDXC slot ,Max 128GB
GENERAL	
Power Supply	DC12V/POE
Power Consumption	5W(IR LED OFF); 8W (IR LED ON)
Operating Temperature	Starting Temperature: -30 °C ~ 60 °C (-22 °F ~ 140 °F) Working Temperature:-40 °C ~ 60 °C (-40 °F ~ 140 °F)
Operating Humidity	0% - 90% RH
Ingress Protection	IP67,IK10 optional
Approvals	CE / FCC
Product Dimensions	φ 110×377mm
Product Weight	1680g