

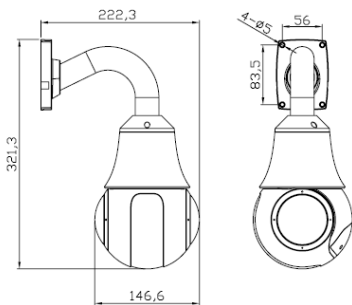
## N3PS312R



### Key features

- 1/2.8" Progressive Scan CMOS
- 12X Optical Zoom, 16X Digital Zoom
- 2048(H) × 1536(V)/25fps
- Multiple Streams
- IR Range 100m
- Low bitrate ,Excellent low light performance
- 3D DNR,dWDR,ICR,Defog

### Dimension



### Accessories



### Specifications

CAMERA	
Image Sensor	1/2.8" Progressive Scan CMOS
Min. illumination	Color: 0.01Lux@(F1.2,AGC ON); B/W: 0Lux@( IR LED ON)
Day & Night	ICR, Auto/Color/B&W
Shutter Speed	1/1-1/10000s
Auto Iris	Auto/Manual
Wide Dynamic Range	dWDR
Digital Noise Reduction	2D/3D, Auto/Manual
Lens	SUNELL 12X Module ,4.7~56.4mm
Digital Zoom	16X
FOV	69.7° ~ 7.56°
IR LED	6 pcs
IR Range	100m
Pan/Tilt	Pan 0-360° continuously ,Tilt -10-90°
Pan/Tilt Speed	Pan: 0.01-180° /s ,Tilt 0.01-90° /s , Preset Speed: Pan 180° /s, Tilt 90° /s
3D Position	YES
Coordinate Display	YES
Preset/Tour/Scan/Track	300/12/12/6
IMAGE	
Video Compression	H.264 High/Main/Baseline Profile, MJPEG
Bit Rate (CBR/VBR)	Main stream: 500kbps~12Mbps;Sub stream: 100kbps~4Mbps
Audio Compression	G.711 ,RAW_PCM
Max. Resolution	2048(H) × 1536(V)/25fps
Stream	Stream1 2048(H) × 1536(V) Stream 2 1080P/720P/D1/CIF/QCIF/VGA/QVGA/640x360
Image Setting	Rotate Mode, Saturation, Brightness, Contrast, Sharpness
HLC	Yes
ROI	Yes
Defog	Yes
NETWORK	
Network Protocols:	IPv4,802.1x,HTTP,HTTPS,TCP/IP,UDP/IP,RTSP,DHCP,NTP, RTCP/RTP, PPPoE, SMTP, DNS, UPnP, FTP, ICMP ,IGMP, Unicast and Multicast.
Alarm Trigger	Motion, Intrusion, Line Crossing, Tamper, Network disconnect, Disk alarm, I/O alarm
RTSP Video	Standard RFC2326, Support QuickTime / VLC Player.
Security	User security authentication, Reset, Hardware Watch Dog
Web Language	English, Chinese, Polish, Italian, Portuguese, Spanish, Russian, French, Czech, Hungarian
System Compatibility	Onvif
INTERFACE	
Ethernet	I1 Ethernet (10/100 Base-T) RJ-45 Connector
Audio I/O	1ch Audio In,1ch Audio Out
Alarm I/O	2ch Alarm In,1ch Alarm Out
RS485	N/A
BNC Output	N/A
Reset Button	YES(Built-in)
Edge Storage	Micro SD/SDHC/SDXC slot(Built-in),Max 64GB
GENERAL	
Power Supply	Standard DC12V/POE+
Power Consumption	MAX 25W
Operating Temperature	Starting Temperature: -30 °C ~ 60 °C (-22 °F ~ 140 °F) Working Temperature: -40 °C ~ 60 °C (-40 °F ~ 140 °F)
Operating Humidity	0% - 90% RH
Protection	IP66,TVS4000V,IK10
Approvals	CE / FCC
Product Dimensions	321.3x222.3x146.6mm
Product Weight	1500g