

SY-PLTK: UHF Antenna Controllers

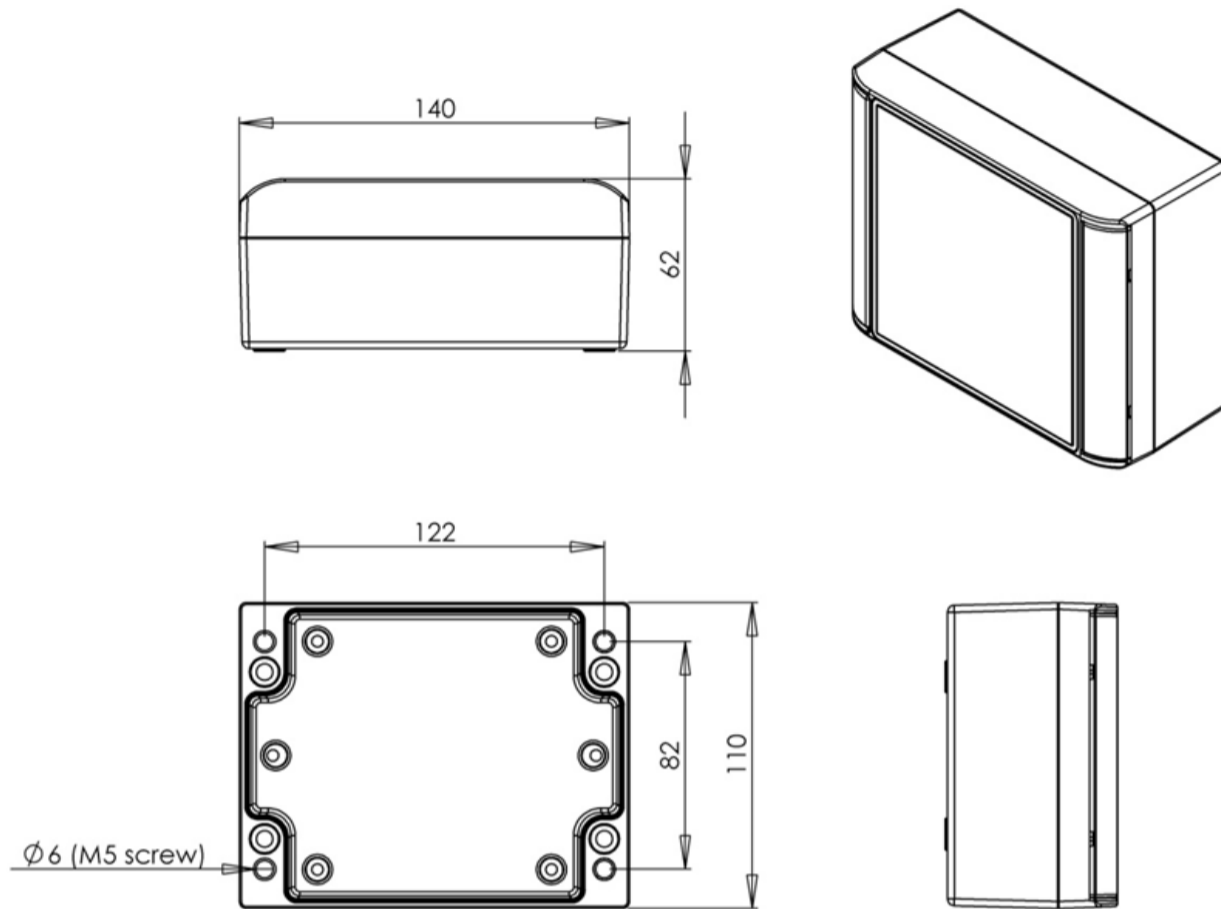
Industrial IP65 controller for reading/writing RFID, with UHF frequency 840MHz—960MHz.
Available to work with one or two external antenna.



- Up to 2 external antenna
- Antenna Auto-Tuning
- RS232/485 interface
- Ethernet Interface
- Service USB Interface VirtualCom
- Upgradeable firmware
- 2 digital input
- 2 relais output
- 3 leds and buzzer
- Test and Configuration Software
- ISO18000-6C standard

Supported Transponder	ISO18000-6C
Power	10-36Vdc
Operative Frequency	840-960MHz, software configuration
Power Antenna	Max 1W (30dBm)
Antenna	Up to 2 external
Antenna Connection	TNC-femal (50ohm)
Communication Interface	RS232 RS485 Ethernet 10-100M
Service Interface	USB VirtualCom
Digital Input	2 input 10-36Vdc Max 20mA
Digital Output	2 relais output
Signals	3 leds—buzzer
Connections	M12, Amphenol RJ
Dimensions	110 x 140 x 62mm
Material	Alluminiu, Plastic
IP Protection	IP65
Operative Temperatire	-20°C / +55°C
Storage Temperatura	-40°C / +85°C
Humidity	95% without condensation
Electromagnetic Compatibility	EN301 489-3
Radio Regulation	EN302 208-2
Security	CEI EN 60950-1 CEi EN 50364

SY-PLTK: UHF Antenna Controllers



Housing without connectors